

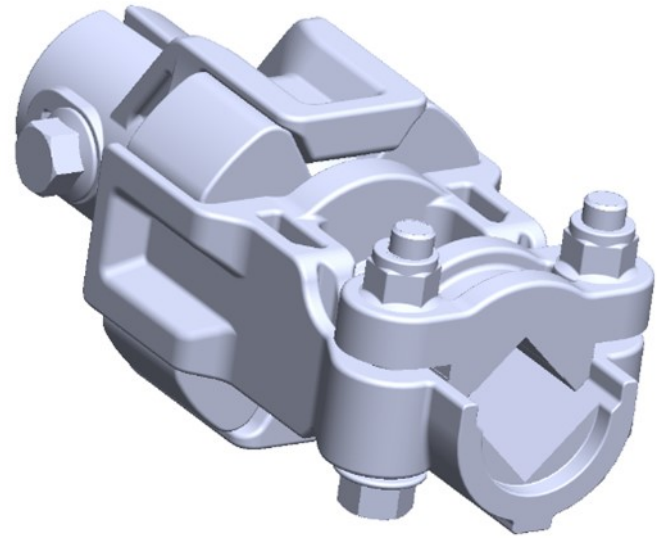


The ICI Universal Coupler

Driveline Coupler & Puck

Superior Engineering & Benefits

- ◆ Allows quick and properly-aligned driveshaft connection for most square and round drive shaft sizes used in the industry: **ONE** product, **MOST** machines
- ◆ Designed to prevent failure in gearboxes or other hardware when operating in challenging field conditions
- ◆ Aluminum load arms are made of high strength aluminum alloy
- ◆ Heavy-duty urethane insert is UV and chemical resistant and is interchangeable with ICI's standard driveline coupler as well as OEM originals products
- ◆ One-Year Warranty
- ◆ Soft assembled from the factory for faster installation in the field



(251) 626-5470

icii@irricomp.com

www.irricomp.com

www.iciigears.com