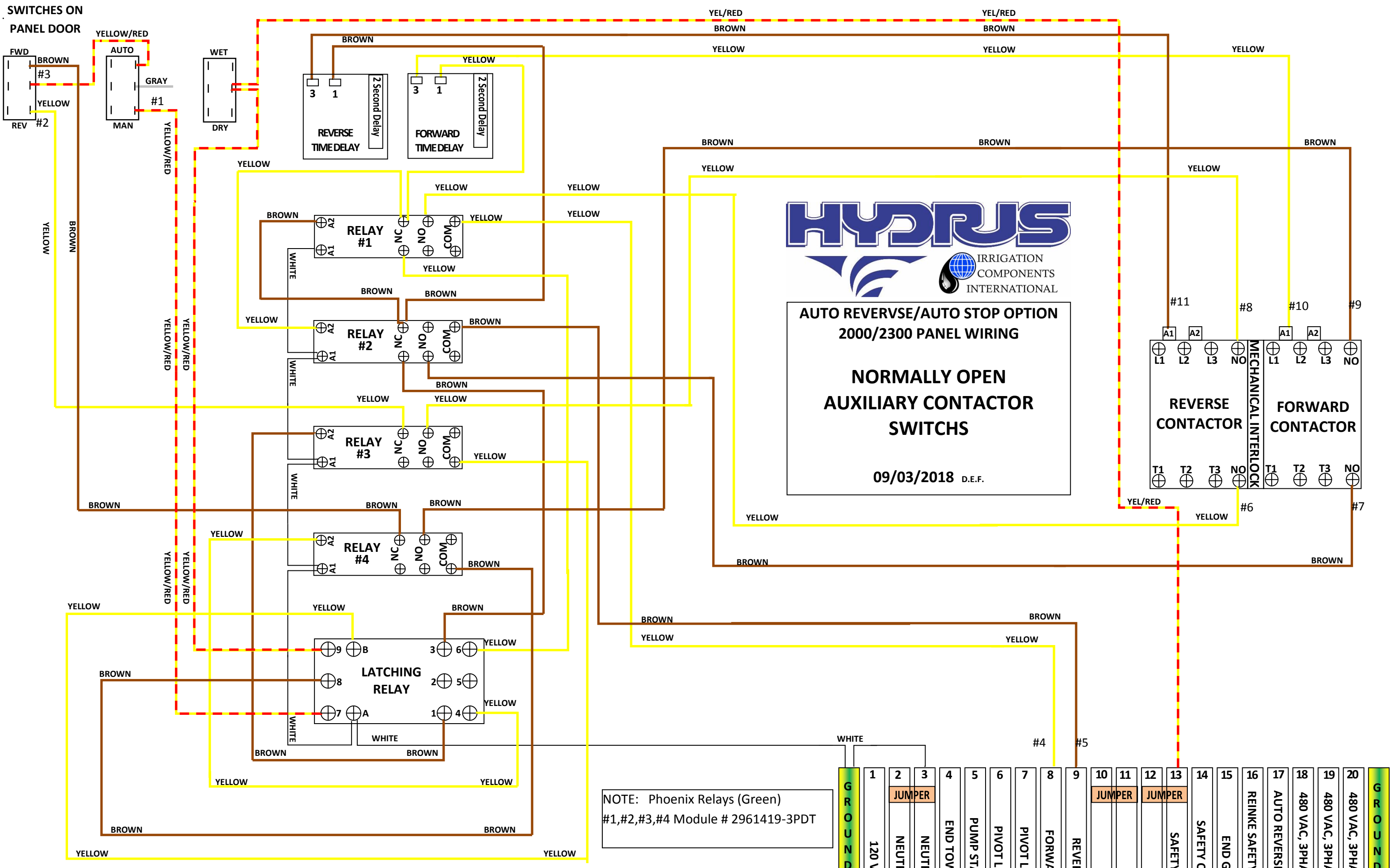
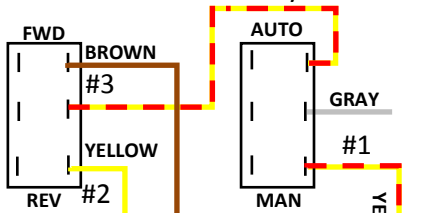


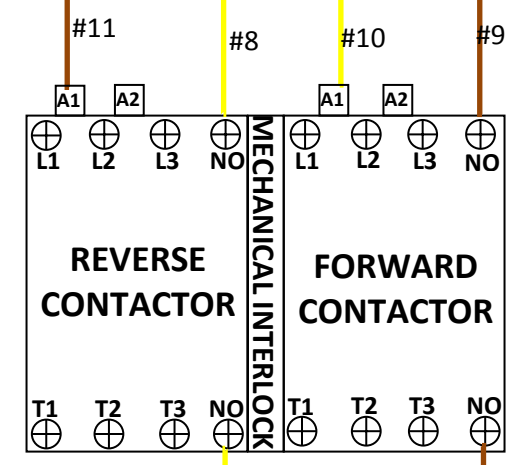
**SWITCHES ON
PANEL DOOR**



**AUTO REVERSE/AUTO STOP OPTION
2000/2300 PANEL WIRING**

**NORMALLY OPEN
AUXILIARY CONTACTOR
SWITCHES**

09/03/2018 D.E.F.



NOTE: Phoenix Relays (Green)
#1,#2,#3,#4 Module # 2961419-3PDT

