

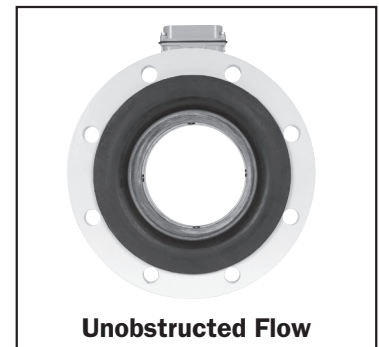


## APPLICATIONS

- Irrigation
- Chemigation
- Agricultural automation
- Well usage monitoring
- Dairy lagoons

## FEATURES

- Simple as a mechanical meter
- No moving parts
- Minimal straight pipe required
- Battery power standard; External power optional
- Solar compatible
- Built-in rate & total indicator
- Built-in pulse output for data-logging or telemetry
- Tamper-evident seal



## GENERAL INFORMATION

The AG2000 is a spool-type electromagnetic flowmeter for use in irrigation applications in 4" to 10" pipe. With no moving parts, these meters have unobstructed flow and are resistant to wear from debris found in ground or surface water. There are no bearings or propeller to wear out. Minimal straight pipe requirements allow AG2000 meters to be used in piping configurations where there is little space between the meter and an elbow.

In chemigation applications, the meter should be installed upstream of the chemical injection point or enough downstream to allow thorough mixing of fluids ahead of the meter (see *Tech Bulletin on Seametrics website Downloads page*).

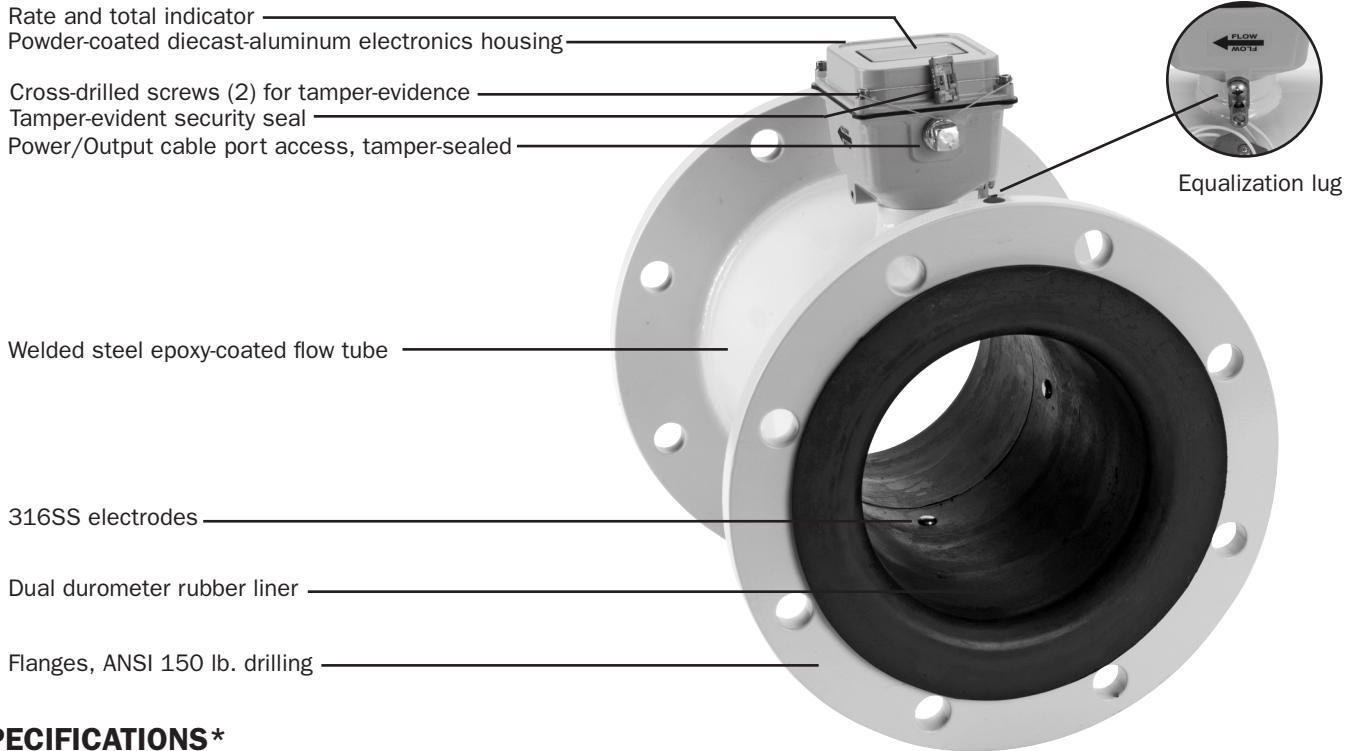
The standard AG2000 is battery powered. Where an external power source is available, the AG2000 can be optionally converted to 7-26 Vdc, with the batteries then serving to maintain continuous operation in case of power failure. This configuration

will prolong battery life indefinitely.

The meter comes with built-in pulse output (requires optional output cabling) for data logging or telemetry. Several pulse rates are available. An internal data logger is also available for secure flow logging (-127). A Seametrics FT420W indicator can be added if remote rate/total reading is desired, or an AO55W if a 4-20 mA (analog) signal is required.

The AG2000 has a seal wire to protect against unauthorized access. The seal can be broken to change units of measure, replace the battery pack, or to field-install a power/output cable. The optional cable can be factory- or field-installed for applications where external power is available and/or pulse output is needed. The accessory weather guard is recommended in outdoor applications.

## FEATURES

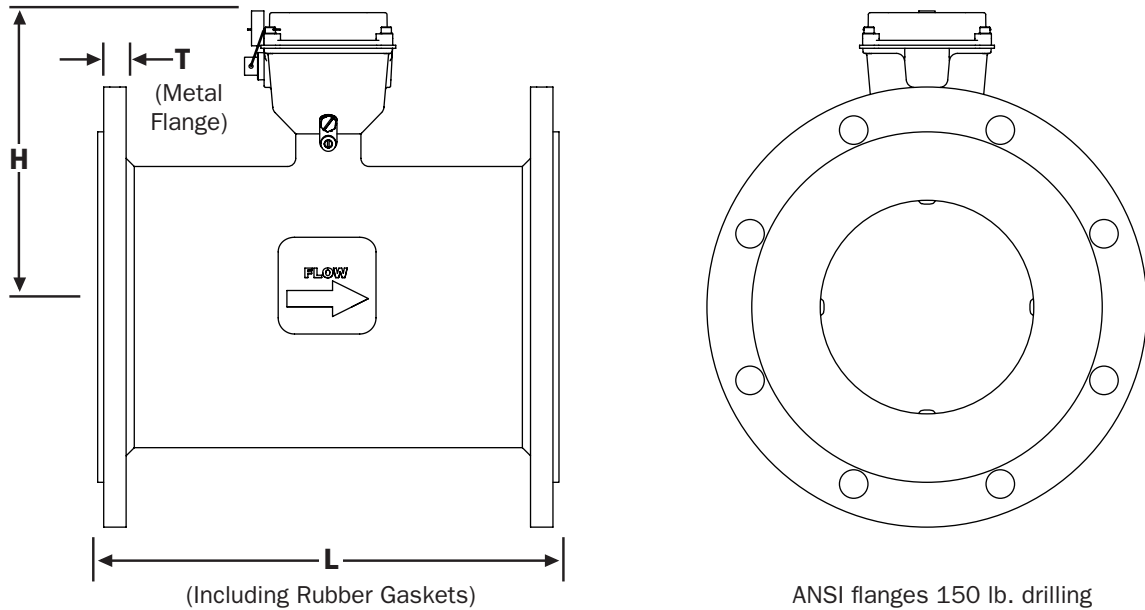


## SPECIFICATIONS \*

<b>Pipe Sizes</b>	4", 6", 8", 10"		
<b>Fittings</b>	Flanges, ANSI 150 lb. drilling		
<b>Pressure</b>	150 psi (10.3 bar) working pressure		
<b>Temperature</b>	<b>Operating</b>	10° to 130° F (-12° to 54° C)	
	<b>Non-Operating</b>	-40° to 158 F (-40° to 70° C)	
<b>Accuracy</b>	+/-1% at 100% to 10% of reading; +/-2% at 10% of reading to cut off		
<b>Materials</b>	<b>Body</b>	Welded steel, epoxy-coated	
	<b>Liner</b>	Dual durometer rubber	
	<b>Electronics Housing</b>	Diecast aluminum, powder-coated	
	<b>Electrodes</b>	316 stainless steel	
<b>Display</b>	<b>Rate</b>	<b>Total</b>	
	<b>Digits</b>	5	8
	<b>Units</b>	Gallons/Minute	Acre-Feet; Acre-Inch or Gallons x 1000
		Cubic Feet/Second	Cubic Feet
		Liters/Second	Megaliters
		Liters/Minute	Liter x 1000
		Cubic Meters/Minute	Cubic Meters
*consult ordering section for complete units list			
<b>Security</b>	Cross-drilled screws and tamper-evident seal		
<b>Power</b>	1 battery pack that contains 2 Lithium 3.6V "D" batteries, replaceable, 5 year life in typical irrigation		
	With external power option (uses 7-32 Vdc, 30 mA), Lithium batteries serve as backup in power failure (10 year life)		
<b>Pulse Output (with optional cable)</b>			
	<b>Signal</b>	Current sinking pulse, opto-isolated, 32 Vdc, 10 mA max	
	<b>Pulse Rates</b>	High Frequency (default); 10 units/pulse; 100 units/pulse; 1000 units/pulse (for details, refer to AG2000 High Frequency Output Technical Bulletin on our website)	
<b>Conductivity</b>	>20 microSiemens		
<b>Empty Pipe Detection</b>	Hardware/software, conductivity-based		
<b>Environmental</b>	NEMA 4X standard		

\*Specifications subject to change. Please consult our website for the most current data ([www.Seametrics.com](http://www.Seametrics.com)).

## DIMENSIONS

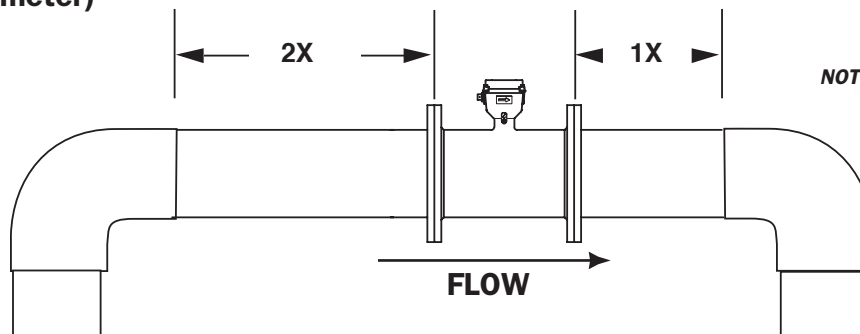


## AG2000

Meter Size	L		H		T		Shipping Weight	
	inch	mm	inch	mm	inch	mm	pounds	Kg
4"	10.24	260	7.0	178	.82	20.9	32	14.5
6"	12.27	312	8.1	206	.92	23.3	47	21.3
8"	14.24	362	9.1	231	.92	23.3	71	32.2
10"	18.18	462	10.1	257	.92	23.3	95	43.3
Flanges	Standard ANSI 150 lb. drilling						Cable 1 lb.	

## STRAIGHT PIPE RECOMMENDATIONS

(X = pipe diameter)

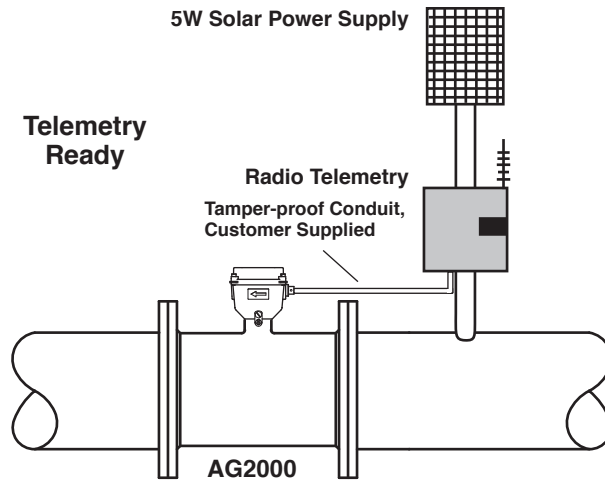


*Minimal straight pipe  
required between elbows.  
NOTE: Local regulations may vary.*

## FLOW RANGE

	4"		6"		8"		10"	
	Gal/Min	Liter/Sec	Gal/Min	Liter/Sec	Gal/Min	Liter/Sec	Gal/Min	Liter/Sec
Minimum	12	.75	32	2	60	3.8	95	6
Maximum	500	31.5	1,200	75.7	2,200	138.8	3,500	220

## OUTPUT CAPABILITIES



## HOW TO ORDER

MODEL	SIZE	OPTIONS	PULSE RATE (With Option -11)	UNITS	TOTAL	ORDER																																																
AG2000	4" = -400 6" = -600 8" = -800 10" = -1000	Factory-Installed Power/ Output Cable, 6m (20 ft) = -11/6  Factory-Installed Power/ Output Cable, 15m (50 ft) = -11/15  Data Logger (internal) = -127	10 Units*/Pulse = -PxX 100 Units*/Pulse = -PxH 1000 Units*/Pulse = -PxK High Frequency = Default	<table style="width: 100%; border: none;"> <tr><td><b>RATE</b></td><td><b>ORDER</b></td></tr> <tr><td>Gal/Min</td><td>= GPM</td></tr> <tr><td>Liter/Min</td><td>= LPM</td></tr> <tr><td>Cu Ft/Min</td><td>= CFM</td></tr> <tr><td>Cu Meter/Hr</td><td>= CMH</td></tr> <tr><td>Gal/Sec</td><td>= GPS</td></tr> <tr><td>Liters/Sec</td><td>= LPS</td></tr> <tr><td>Cu Ft/Sec</td><td>= CFS</td></tr> <tr><td>Miner's In**</td><td>= MI</td></tr> <tr><td>Cu Met/Min</td><td>= CMM</td></tr> </table>	<b>RATE</b>	<b>ORDER</b>	Gal/Min	= GPM	Liter/Min	= LPM	Cu Ft/Min	= CFM	Cu Meter/Hr	= CMH	Gal/Sec	= GPS	Liters/Sec	= LPS	Cu Ft/Sec	= CFS	Miner's In**	= MI	Cu Met/Min	= CMM	<table style="width: 100%; border: none;"> <tr><td><b>ORDER</b></td><td><b>TOTAL</b></td></tr> <tr><td>= G</td><td>Gal</td></tr> <tr><td>= GT</td><td>Gal x 1000</td></tr> <tr><td>= L</td><td>Liter</td></tr> <tr><td>= LT</td><td>Liter x 1000</td></tr> <tr><td>= ML</td><td>Mega Liters</td></tr> <tr><td>= CM</td><td>Cubic Meters</td></tr> <tr><td>= CMT</td><td>Cu Met x 1000</td></tr> <tr><td>= AF</td><td>Acre Feet</td></tr> <tr><td>= CF</td><td>Cubic Feet</td></tr> <tr><td>= CFT</td><td>Cu Feet x 1000</td></tr> <tr><td>= MG</td><td>Million Gal</td></tr> <tr><td>= MID</td><td>Miner's Inch Day</td></tr> <tr><td>= AI</td><td>Acre Inch</td></tr> </table>	<b>ORDER</b>	<b>TOTAL</b>	= G	Gal	= GT	Gal x 1000	= L	Liter	= LT	Liter x 1000	= ML	Mega Liters	= CM	Cubic Meters	= CMT	Cu Met x 1000	= AF	Acre Feet	= CF	Cubic Feet	= CFT	Cu Feet x 1000	= MG	Million Gal	= MID	Miner's Inch Day	= AI	Acre Inch	
<b>RATE</b>	<b>ORDER</b>																																																					
Gal/Min	= GPM																																																					
Liter/Min	= LPM																																																					
Cu Ft/Min	= CFM																																																					
Cu Meter/Hr	= CMH																																																					
Gal/Sec	= GPS																																																					
Liters/Sec	= LPS																																																					
Cu Ft/Sec	= CFS																																																					
Miner's In**	= MI																																																					
Cu Met/Min	= CMM																																																					
<b>ORDER</b>	<b>TOTAL</b>																																																					
= G	Gal																																																					
= GT	Gal x 1000																																																					
= L	Liter																																																					
= LT	Liter x 1000																																																					
= ML	Mega Liters																																																					
= CM	Cubic Meters																																																					
= CMT	Cu Met x 1000																																																					
= AF	Acre Feet																																																					
= CF	Cubic Feet																																																					
= CFT	Cu Feet x 1000																																																					
= MG	Million Gal																																																					
= MID	Miner's Inch Day																																																					
= AI	Acre Inch																																																					
AG2000																																																						

(\*Units = Gal or Liter depending on Rate/Total unit selection)      Consult factory for additional units  
\*\*1 miner's inch = 1.2 CFM  
Any rate selection can be combined with any total selection

### ACCESSORIES

Remote 4-20 mA (analog) signal = <b>AO55W</b>	Post-Factory Power/Output Cable, 6m (20 ft) = <b>DC30</b>	Grounding Rings (not needed for most applications):
Remote Rate and Total Indicator = <b>FT420W</b>	Post-Factory Power/Output Cable, 15m (50 ft) = <b>DC35</b>	4" = <b>31090</b>
Data Logger (remote mount) = <b>DL76W</b>	Dual Power Supply, 115 Vac, 12/24 Vdc = <b>PC42</b>	6" = <b>31091</b>
Data Logger (secure meter mount) = <b>DL76AG</b>	External Power Supply = <b>Consult Factory</b>	8" = <b>31092</b>
Weather Guard = <b>31388</b>	Solar Panel Kit, 5 Watt = <b>RSP5</b>	10" = <b>31093</b>

## SUPPLIER CONTACT INFORMATION