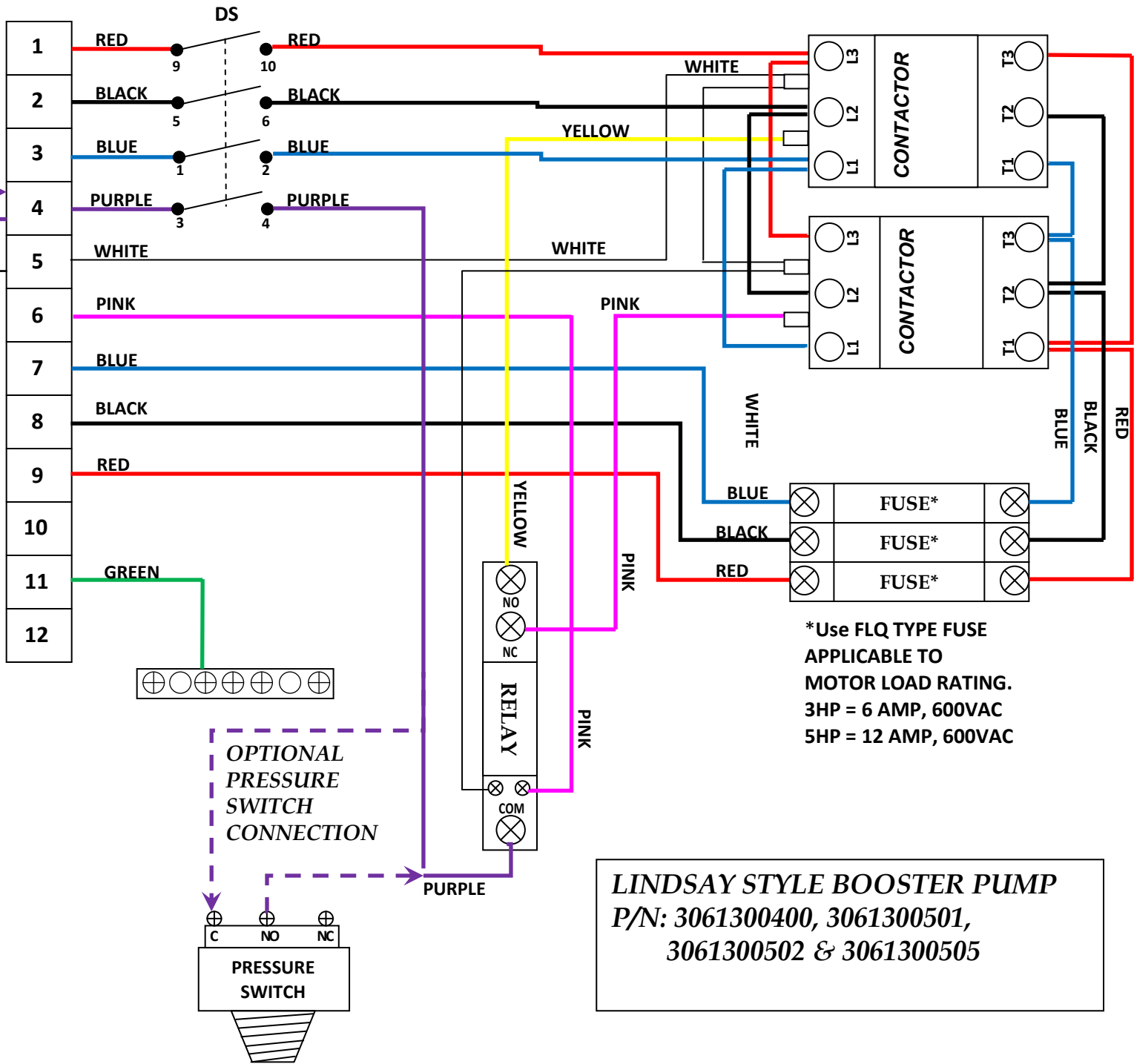


WIRE ORIGINATES AT TERMINAL BLOCK #15 OF THE MAIN CONTROL PANEL. CONTROL IS THE END GUN SWITCH OF THE MAIN CONTROL PANEL.

2" END GUN VALVE



LINDSAY STYLE BOOSTER PUMP
 P/N: 3061300400, 3061300501,
 3061300502 & 3061300505