



FEATURES

- Portable
- Efficient
- Accurate
- Versatile
- Intuitive
- Easy to Own
- Reusable Location Settings
- CE & FCC Approved



GENERAL INFORMATION

Meet the Seametrics jWAVE.

Now you can capture accurate and reliable flow readings with your mobile device, with less hassle and in less time—wherever you need a flow or volume measurement.

No wires. No bulky electronics box to lug around. Your ultrasonic sensor hardware installs on the outside of your pipe in a snap—and senses through the pipe wall. Your mobile device displays readings and helps you set up the hardware.

And Bluetooth replaces the wires.

So you'll get your job done more quickly, every time.

What's the jWAVE?

The jWAVE Flow Meter solution starts with the jWAVE App (downloadable from the app stores) and works on both iOS and Android devices.

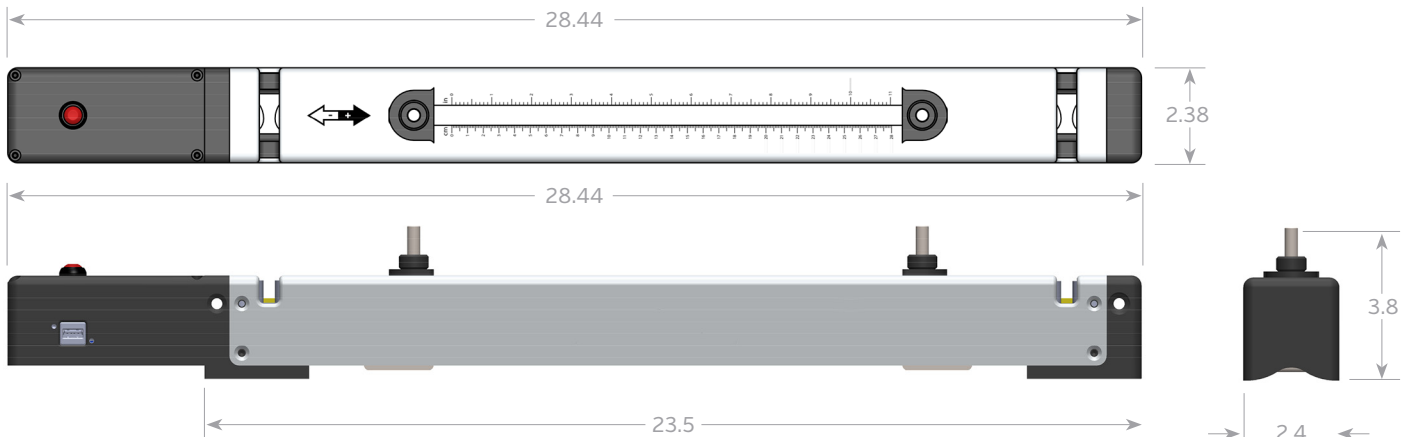
The companion jWAVE Sensor is a compact, clamp-on ultrasonic transducer device that wirelessly transmits flow measurements. With a programmable controller, the output signal can be fed direct, with no other conditioning required.

The jWAVE is highly portable. Just bring the rechargeable clamp-on sensor in its lightweight, weatherproof case, along with a tablet or smartphone (iOS or Android). Bluetooth connectivity replaces wires, and the jWAVE App guides you through your application setup.

The convenient Cam Cleat lets you mount the sensor on any pipe in seconds—no cumbersome clamps required. Bi-directional readings are transmitted to your mobile device for display, and your location's settings are stored in the jWAVE App, ready for reuse.

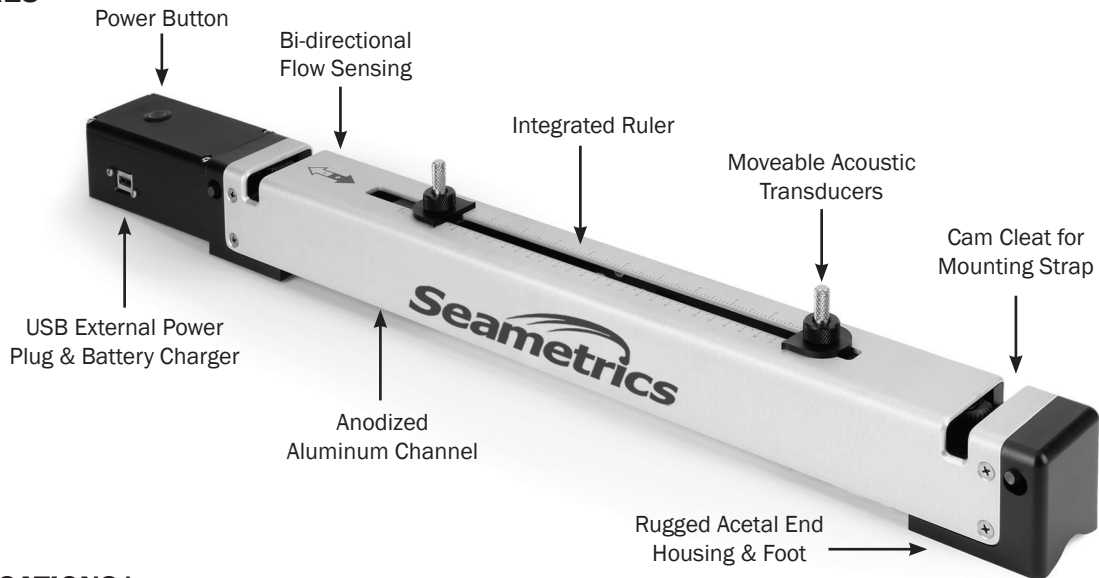
Now simply release the cleats, then take the compact sensor on to your next location.

DIMENSIONS



Seametrics **jWAVE** Portable Clamp-On Ultrasonic Flow Meter

FEATURES



SPECIFICATIONS*

Pipe Size	3" - 20"
Pressure Drop	Zero
Materials	Body Anodized Aluminum Channel & Acetal End Housings & Feet
	Mounting Straps EPDM
Temperature	Ambient & Fluid -20° to 150° F (-29° to 65° C)
Display	English, Metric and Imperial units provided on App
Flow Operation Range	Bidirectional; -30 to 30 ft/sec (-10 to 10 m/sec)
Accuracy	1% to 2% of reading
Repeatability	0.1% to 0.3%
Output Signal	Wireless Bluetooth connectivity to iOS or Android device
Power	Battery (8+ hours) (1W max) 150 mAmp max current
Installation	10 diameters upstream 5 diameters downstream for optimal performance
Environmental	IP65

*Specifications subject to change • Please consult our website for current data (www.seametrics.com).

INDUSTRIES	USES	APPLICATIONS	BENEFITS	
<ul style="list-style-type: none"> • Building Services • Chemical • Energy Management • Food • Petrochemical • Pharmaceutical • Power Generation • Water • Agricultural 	<ul style="list-style-type: none"> • Hot Water • Cooling Water • Condenser Water • Water/Glycol solutions • Steam Condensate • Municipal Water • Process Water • Wide range of clean fluids & temperatures in full pipes • Clean homogenous liquids • Potable Water • Chemicals 	<ul style="list-style-type: none"> • Diesel & Fuel Oils • River Water • Semiconductor • Pump Applications • Ultrapure or demineralized water (Deionized/RO, etc.) • Petroleum products • Water Treatment • Food & Beverage processing 	<ul style="list-style-type: none"> • HVAC & Energy System Audits • Check System Meters • Pump Verification • Boiler Testing • Leak detection • Filter Sizing • Ultrapure Water Measurement • Fuel Oil Metering • Condensate Measurement • Clean in place evaluation • Fire System testing • Hydraulic System Testing 	<ul style="list-style-type: none"> • Portable • Non-invasive • Low-installation cost • Accurate • Flow Verification, not calibration • Temporarily measure flow while repairing or replacing a permanent meter • No interruption of the process and no down time to install • Tolerates small amounts of air bubbles or suspended solids