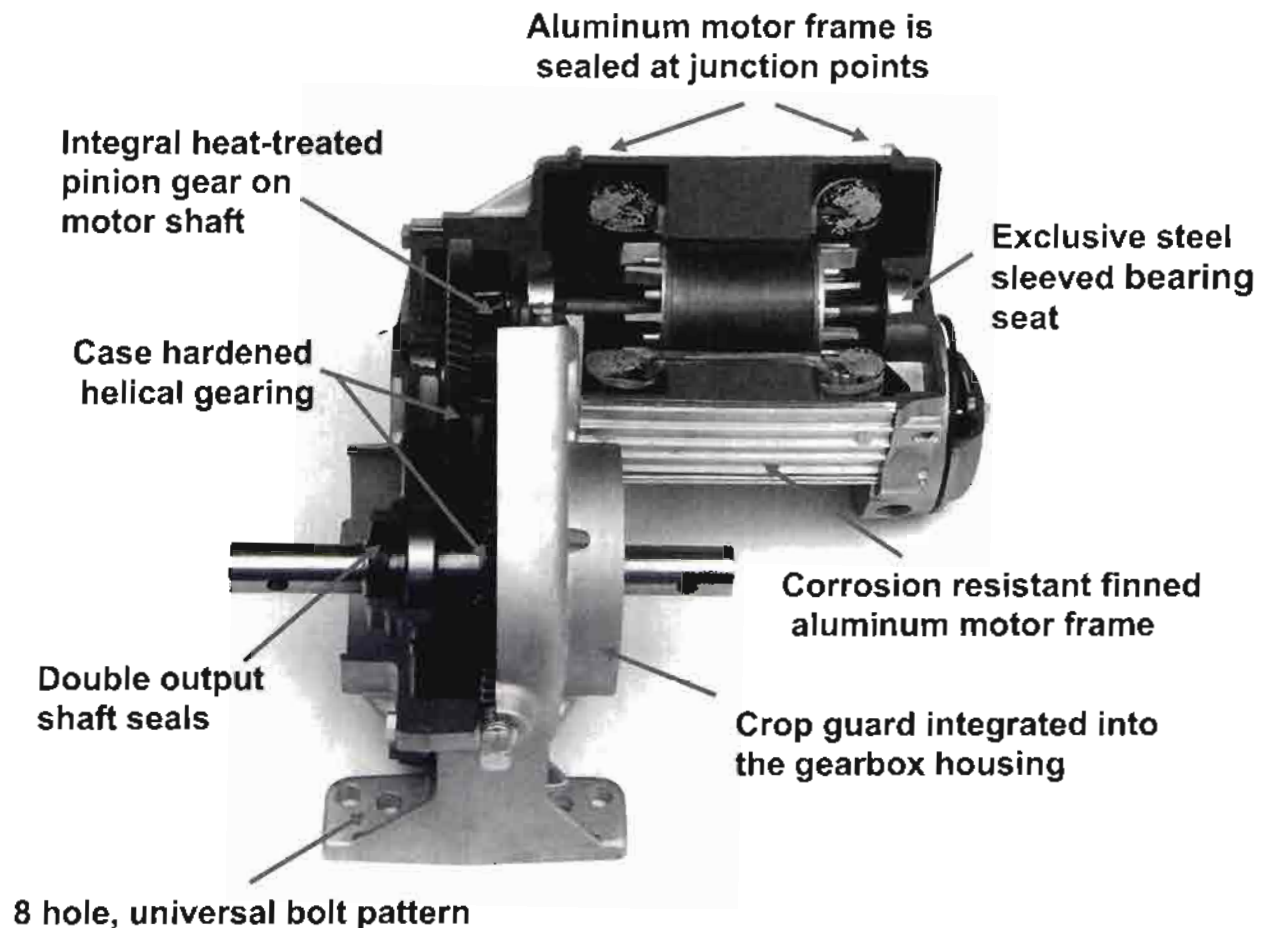


DURST

Durst Helical Center Drive Gearmotors



Performance Features

- 460/380 Volt, 3 phase motor, 60/50 Hz
- Motor is thermally protected with automatic reset
- Three condensation ports on the motor module
- Motor module interchangeable with Valley® unit
- Gearbox module interchangeable with Valley® unit
- Class F2 insulation
- UL & CSA Certified
- Available in multiple gear ratios
 - 1750 rpm 50:1 (34 RPM)
 - 1750 rpm 40:1 (43 RPM)
 - 3500 rpm 25:1 (68 RPM)
 - 3500 rpm 20:1 (86 RPM)
- Motors are available in high torque
 - .75 hp @ 1750 and 1.5 hp @ 3500 RPM

The leader in Design and Quality you have trusted for over 40 Years.

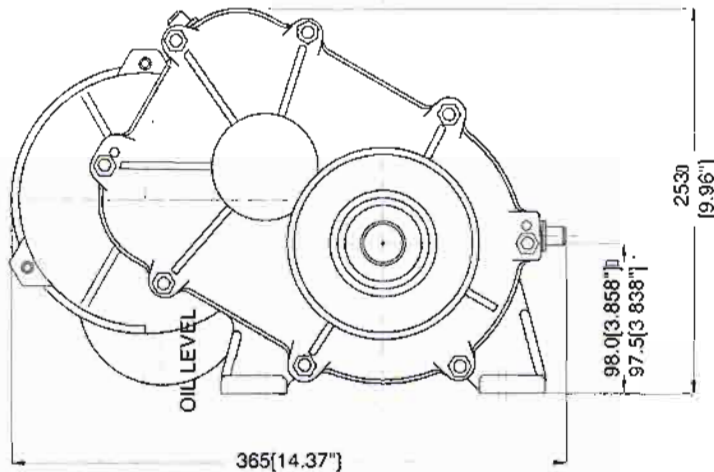
DURST

A division of Regal Beloit Corporation
www.durstdrives.com

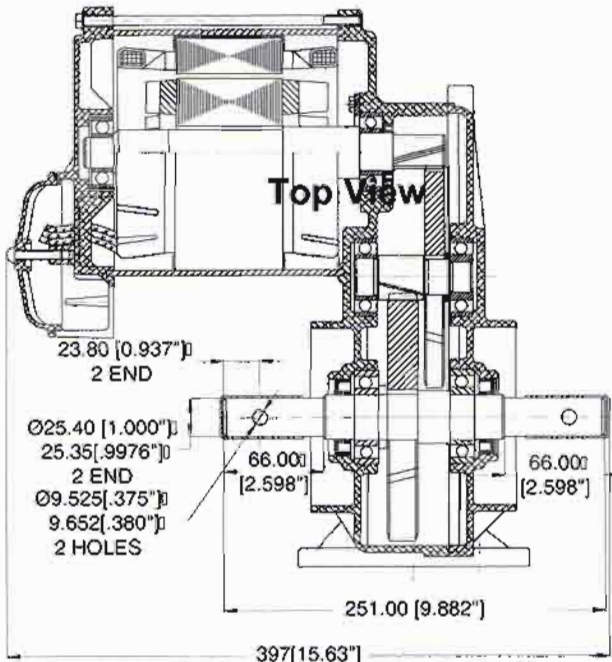
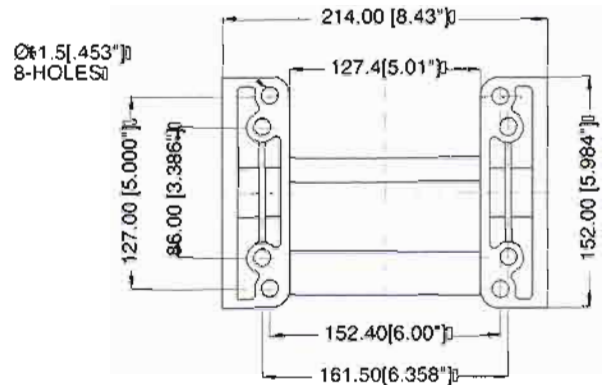
DURST

Durst Helical Center Drive Gearmotors Dimensional Drawing

Side View



Bottom View
(Mount Pattern)



Available in multiple gear ratios:

- 1750 rpm 50:1 (34 RPM)
(Model VCD065034)
- 1750 rpm 40:1 (43 RPM)
(Model VCD064043)
- 3500 rpm 25:1 (68 RPM)
(Model VCD125068)
- 3500 rpm 20:1 (86 RPM)
(Model VCD124086)

The leader in Design and Quality you have trusted for over 40 Years.

DURST

A division of Regal Beloit Corporation

www.durstdrives.com

608-365-2365