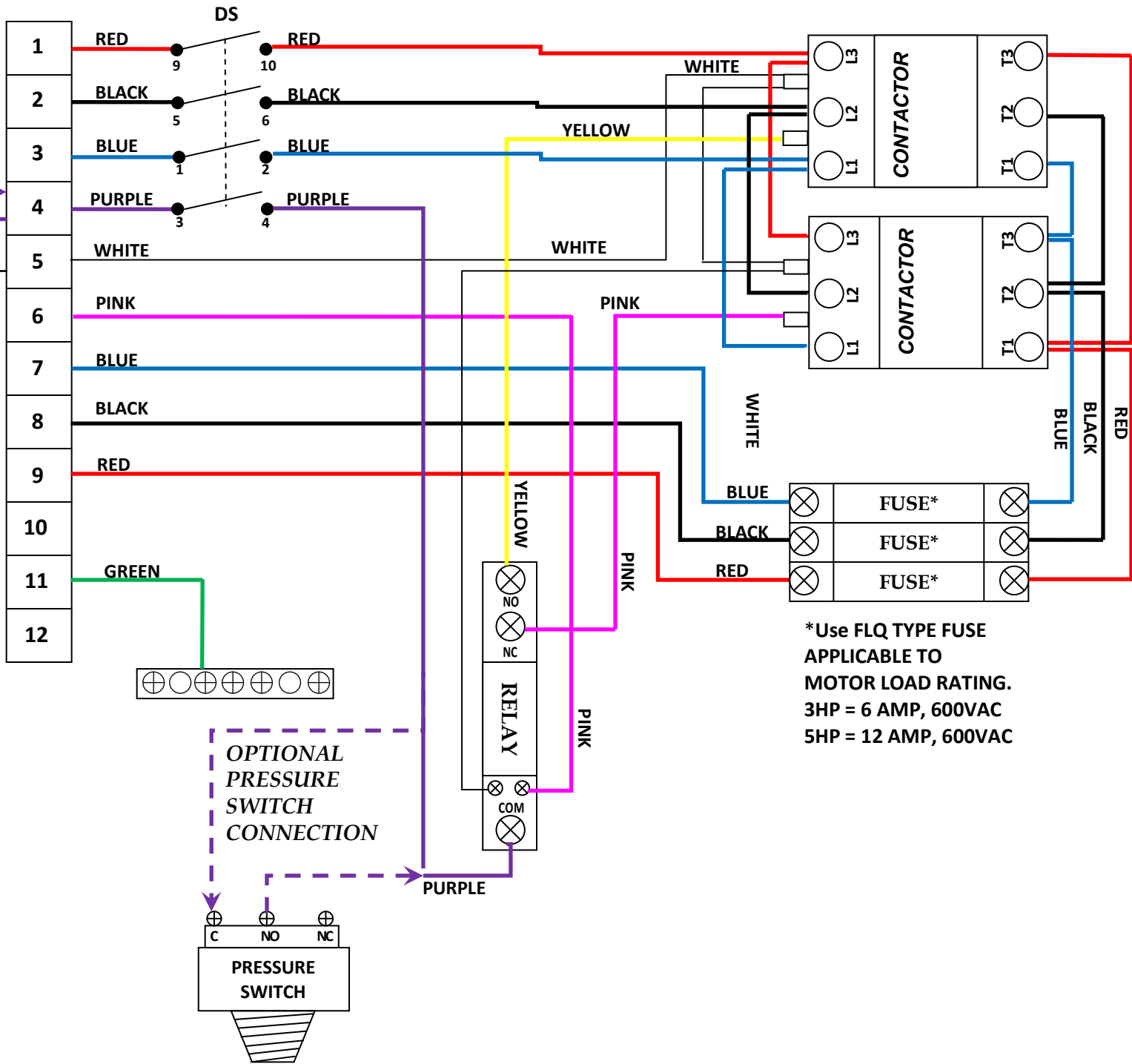


WIRE ORIGINATES AT TERMINAL BLOCK #15 OF THE MAIN CONTROL PANEL. CONTROL IS THE END GUN SWITCH OF THE MAIN CONTROL PANEL.

2" END GUN VALVE



*Use FLQ TYPE FUSE APPLICABLE TO MOTOR LOAD RATING.
 3HP = 6 AMP, 600VAC
 5HP = 12 AMP, 600VAC

LINDSAY STYLE BOOSTER PUMP
 P/N: 8010